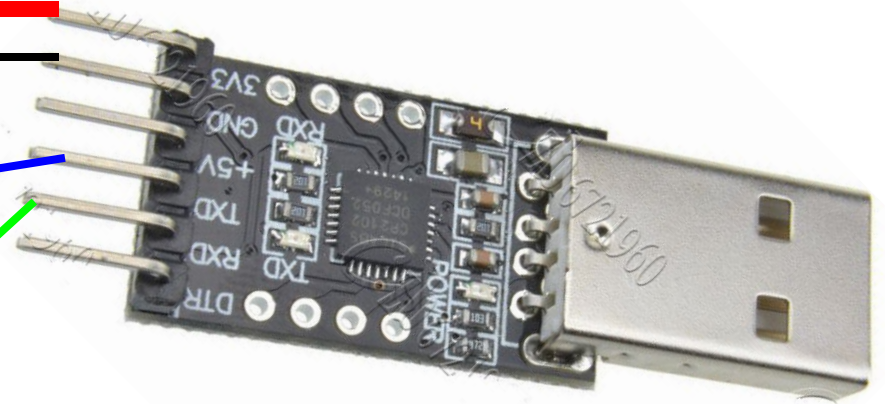
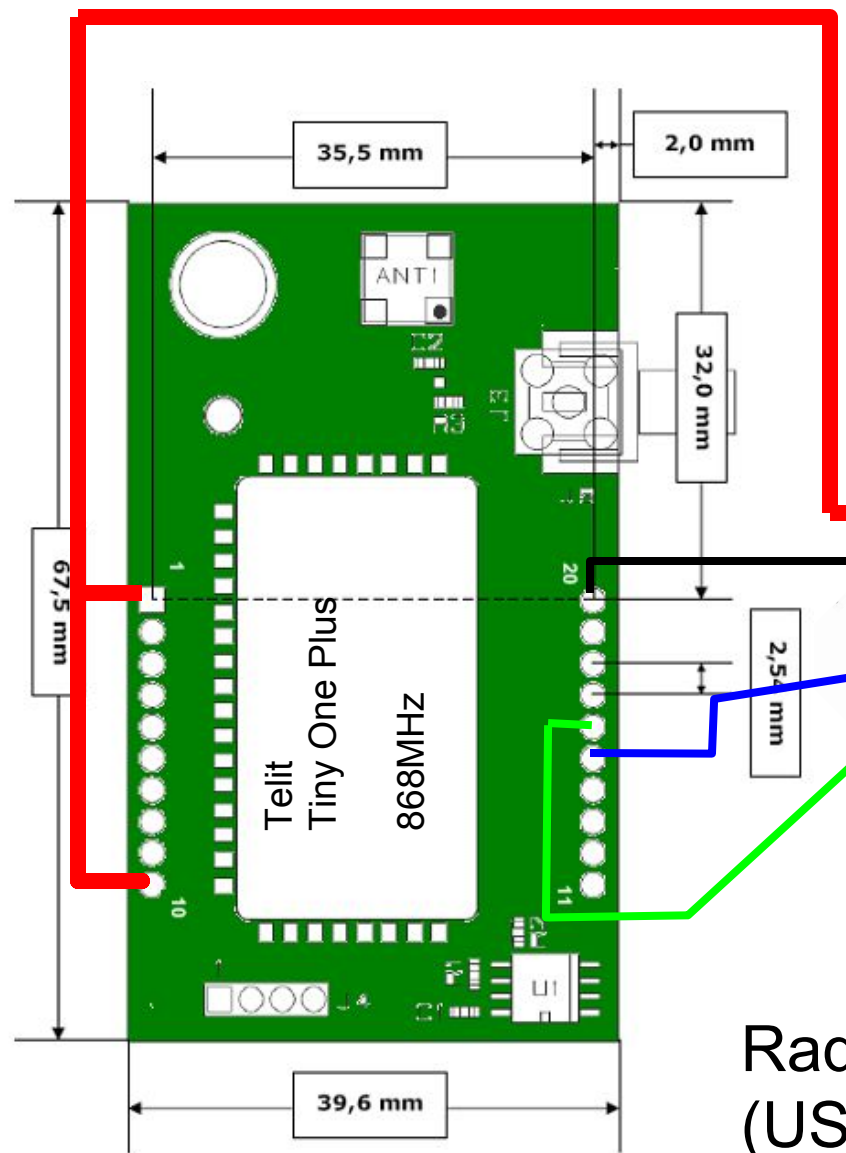
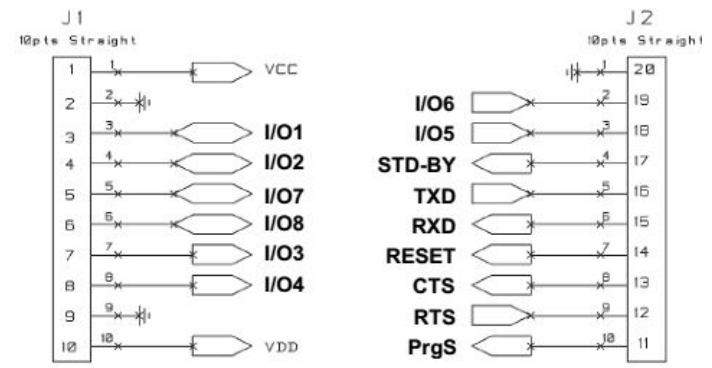


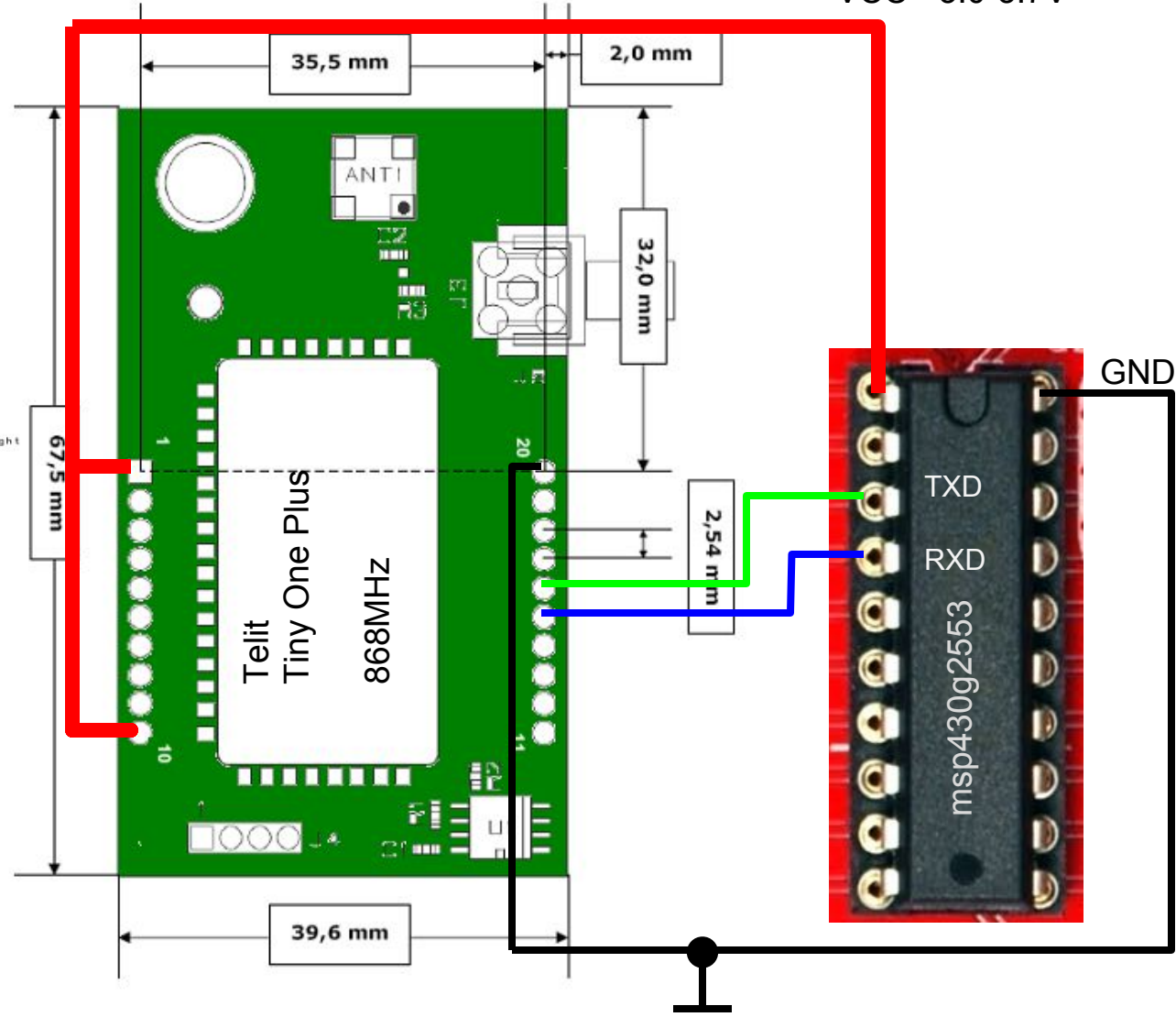
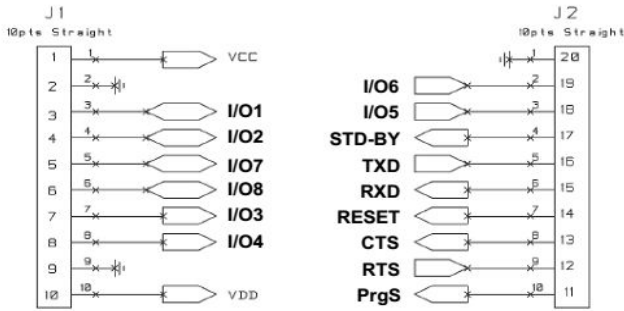
VCC - 3.0-3.7V



Radio module + PC host  
(USB-to-wireless UART, 800 MHz)

# Radio module + 4e4th (Wireless UART 800MHz)

VCC - 3.0-3.7V



## Radio module settings

Serial Link															
R/W	S210	Serial Speed.	Indicates the speed on the Serial Connection												
			'1': 1200 bits/s      '5': 19200 bits/s												
			'2': 2400 bits/s     '6': 38400 bits/s												
			'3': 4800 bits/s     '7': 57600 bits/s												
			'4': 9600 bits/s     '8': 115200 bits/s												
			The time out value must be compatible with the serial speed:												
		<table border="1"><thead><tr><th>Min. time-out (S214)</th><th>Serial Speed (S210)</th></tr></thead><tbody><tr><td>17 ms</td><td>1200 bits/s</td></tr><tr><td>9 ms</td><td>2400 bits/s</td></tr><tr><td>5 ms</td><td>4800 bits/s</td></tr><tr><td>3 ms</td><td>9600 bits/s</td></tr><tr><td>2 ms</td><td>≥19200 bits/s</td></tr></tbody></table>	Min. time-out (S214)	Serial Speed (S210)	17 ms	1200 bits/s	9 ms	2400 bits/s	5 ms	4800 bits/s	3 ms	9600 bits/s	2 ms	≥19200 bits/s	
Min. time-out (S214)	Serial Speed (S210)														
17 ms	1200 bits/s														
9 ms	2400 bits/s														
5 ms	4800 bits/s														
3 ms	9600 bits/s														
2 ms	≥19200 bits/s														

## Screenshots from PC terminal:

- 4e4th launchpad was powered from a battery
- Distance to PC host is about 10-20 meters (indoor)

## Pure 4e4th Forth remotely :)

```
ok
ok
ok
10 20 30 + * . ?
10 20 30 + * . ?
10 20 30 + * - . 17932 ok
```

## Working with 4e4th remotely

```
COM4 - Tera Term VT
ok
" Hello word" ok
WORDS $2? $2 GREEN RED P3 P2 P1 UNUSED MEM MEMTOP MEMBOT CGET CTOGGLE CCLR CLR C
SET SET MS 1MS BIN PAGE AT-XY BELL .VER \ 2CONSTANT WIPE FACTORY COLD WARM BOOT
SAVE VALID? APPCRC ITHRE CRC (CRC CRC) $ DUMP U.R WORDS MARKER FLALIGNED NOOP
ENVIRONMENT? DEPTH MOVE WITHIN LEAVE +LOOP LOOP ENDLOOP DO L> >L REPEAT WHILE AG
AIN UNTIL BEGIN ELSE THEN IF POSTPONE [ ] ; : IMMEDIATE REVEAL HIDE ] [ RECURSE
DOES> (DOES>) CREATE <BUILDS HEADER ( [CHAR] CHAR ' ABORT" ?ABORT ABORT QUIT EVA
LUATE INTERPRET ?NUMBER >NUMBER ?SIGN DIGIT? LITERAL FIND IMMED? NFA>CFA NFA>LFA
WORD >COUNTED /STRING SOURCE IC, I, IALLOT IHERE C, . ALLOT HERE HEX DECIMAL .
U. SIGN #> #S # >DIGIT <# HOLD UD* UD/MOD IWORD ." IS" (S") (IS") TYPE ACCEPT UM
AX UMIN SPACES SPACE CR COUNT 2OVER 2SWAP 2DUP 2DROP 2! 2@ MIN MAX */ */MOD MOD
/ /MOD * FM/MOD SM/REM M* DABS ?DNEGATE DNEGATE ABS ?NEGATE S>D APPU0 INFOB COR
#INIT UINIT BL TIBSIZE TIB S0 R0 L0 PAD CAPS APP NEWEST IDP LP HP LATEST 'SOURCE
DP STATE BASE >IN U0 ,NONE !DEST ,DEST ,BRANCH ,EXIT !COLON ,JMP ,CALL ,CF !CF
COMPILE, >BODY CHARS CHAR+ CELLS CELL+ CELL ALIGNED ALIGN ZERO KEY? KEY EMIT N=
S= SCAN SKIP I->D CMOVE> CMOVE FILL UM/MOD UM* UNLOOP J I (+loop) (loop) (do) ?b
ranch branch U> U< > < <> = 0< 0= RSHIFT LSHIFT 2/ 2* << 1- 1+ NEGATE INVERT XOR
OR AND - M+ +! + D->I IC! I! FLERASE C! C@ ! @ TUCK RP! RP@ SP! SP@ R@ R> >R NI
P ROT OVER SWAP DROP ?DUP DUP USER CONSTANT VARIABLE EXIT lit EXECUTE ok
" hhhh " ok
" fgfgfgfg" . 1010 ok
```